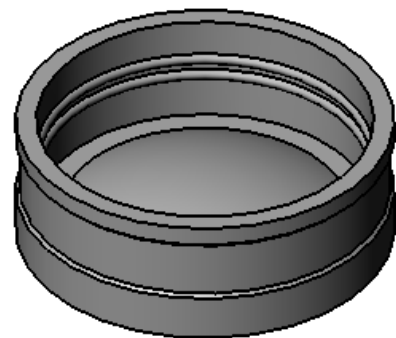
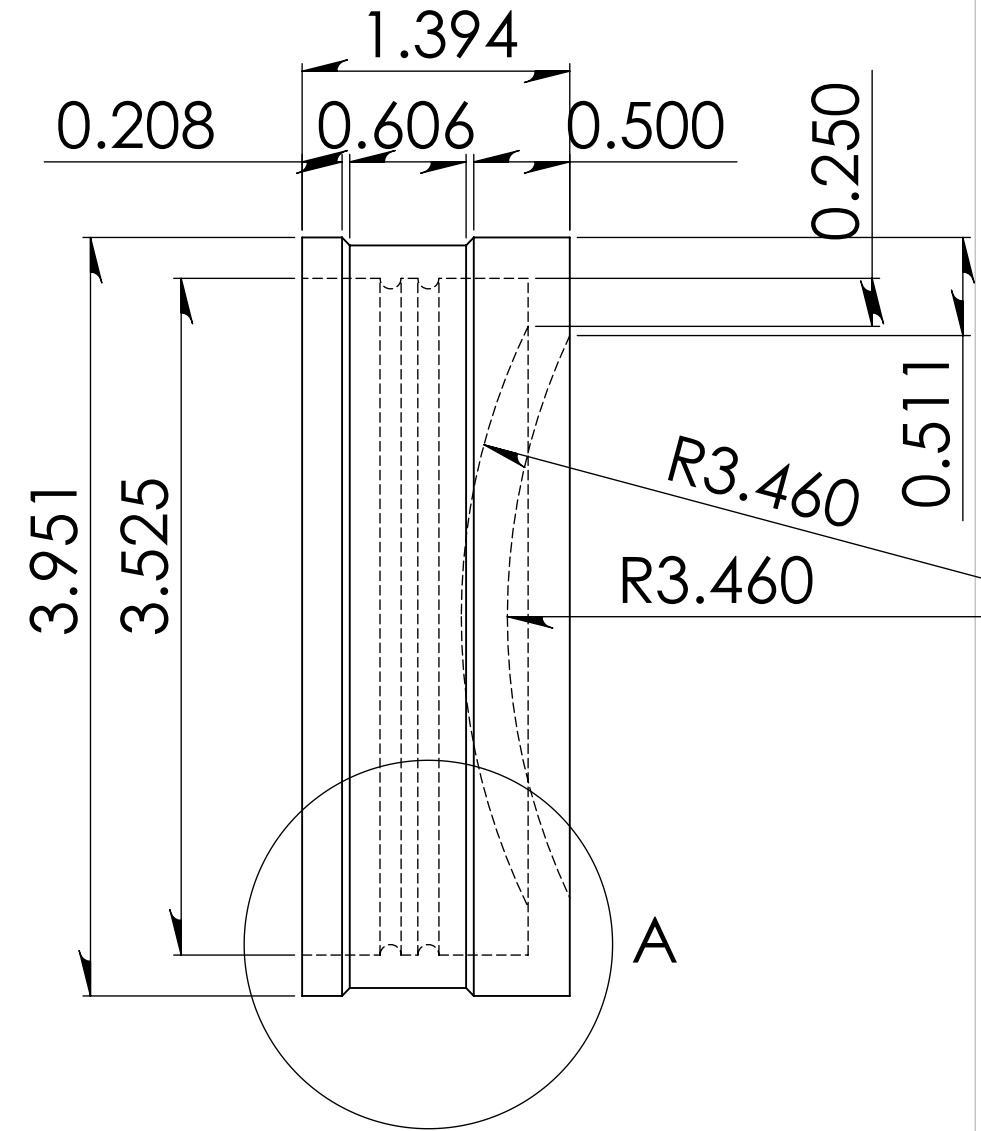


DETAIL A  
SCALE 2.5 : 1



NOTES:  
- SOME HIDDEN LINES NOT SHOWN  
- BREAK ALL SHARP CORNERS  
- REPORT ALL CHANGES TO ENGINEERING

**PROPRIETARY AND CONFIDENTIAL**  
THE INFORMATION CONTAINED IN THIS DRAWING IS THE SOLE PROPERTY OF FERNCO, INC. ANY REPRODUCTION IN PART OR AS A WHOLE WITHOUT THE WRITTEN PERMISSION OF FERNCO, INC. IS PROHIBITED.

Part Weight	
Min/Max Temp.	-30/140 Degrees F
Pressure Tested	4.3 PSI
Material	Flexible PVC
Installation Torque	60" Lbs.
Conforms to ASTM	D5926
Box Quantity	40
Clamps used	300 Series



300 S. DAYTON ST.  
DAVISON, MI 48423  
PH: 810-653-9626  
FAX: 810-654-2616

TOLERANCES:  
.X= Fractional ±  
.XX= ±.02  
.XXX= ±.030  
ANG.= ±0.5°  
UNLESS OTHERWISE SPECIFIED

DESCRIPTION:	Cap 3" Plastic
	QC-103

UNITS:	INCHES	SIZE:	A	DESIGNER:	D. Brady	SCALE:	not to scale
3RD ANGLE PROJECTION DO NOT SCALE DRAWING		CHECKER:		DATE:	8/3/2007	SHEET 1 OF 1	